

Sink Diamant

Kitchen Sinks

Code: 3312 062



DETAILS

Edge/Installation Type

Flat Edge

Material

AISI 304 stainless steel

Texture

Foster brushed

Base

60 cm

Dimensions

988x508 mm

Standard fittings

Fixing hooks, gasket, drain, overflow and siphon, boxed packing

Mixer holes

2 standard holes

Built-in hole

[View technical data sheet](#)

Drainer

Yes

Width 99 cm

Bowl dimension 340x400 + 150x300mm

Number of bowls 2 bowls

Waste fitting Drain with automatic PR control

FEATURES

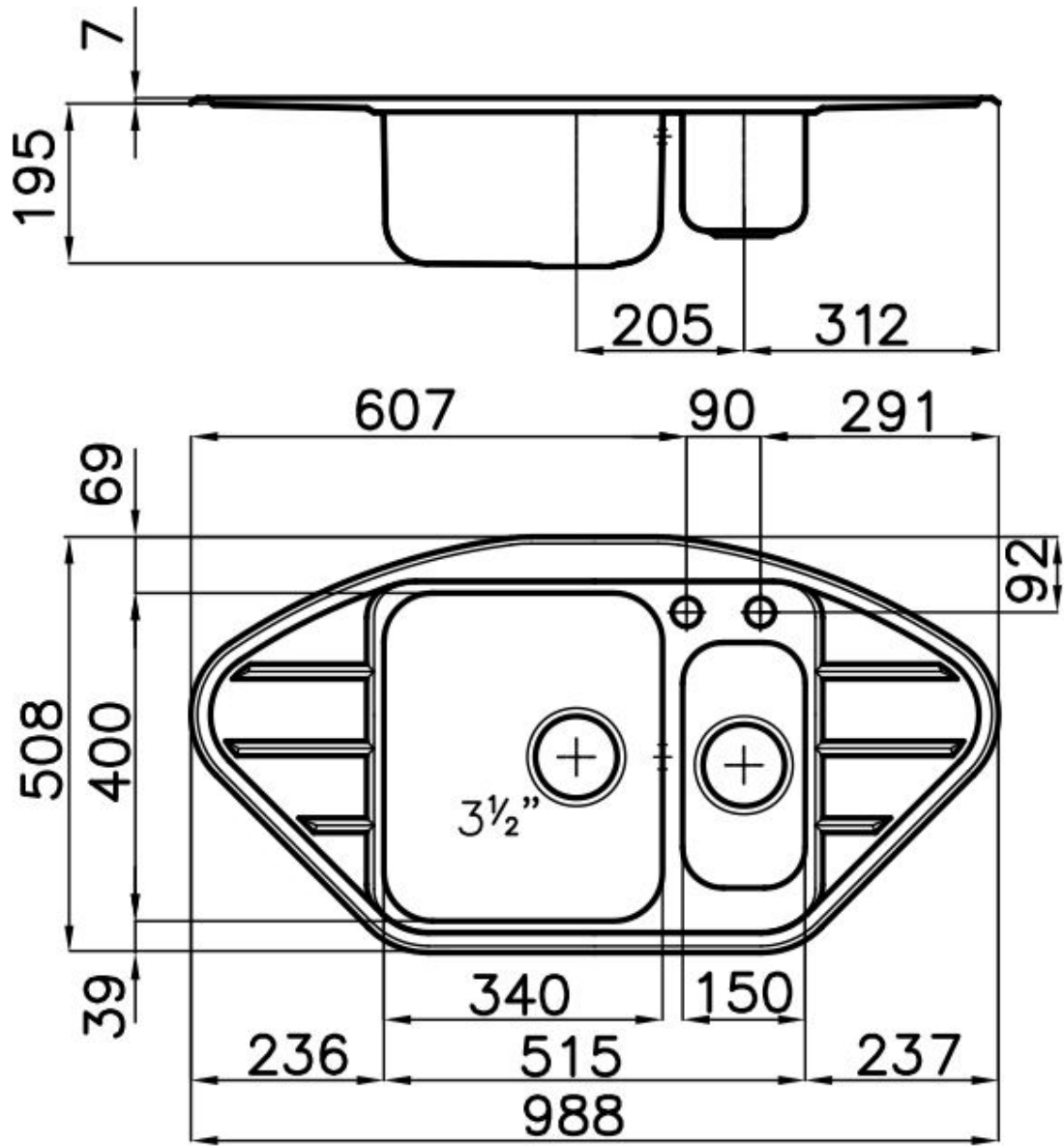
Added value Foster uses steel thicknesses higher than those used on average by other manufacturers. This is how, thanks to our long experience, we know how to make sinks of superior quality and with a better resistance to aging.

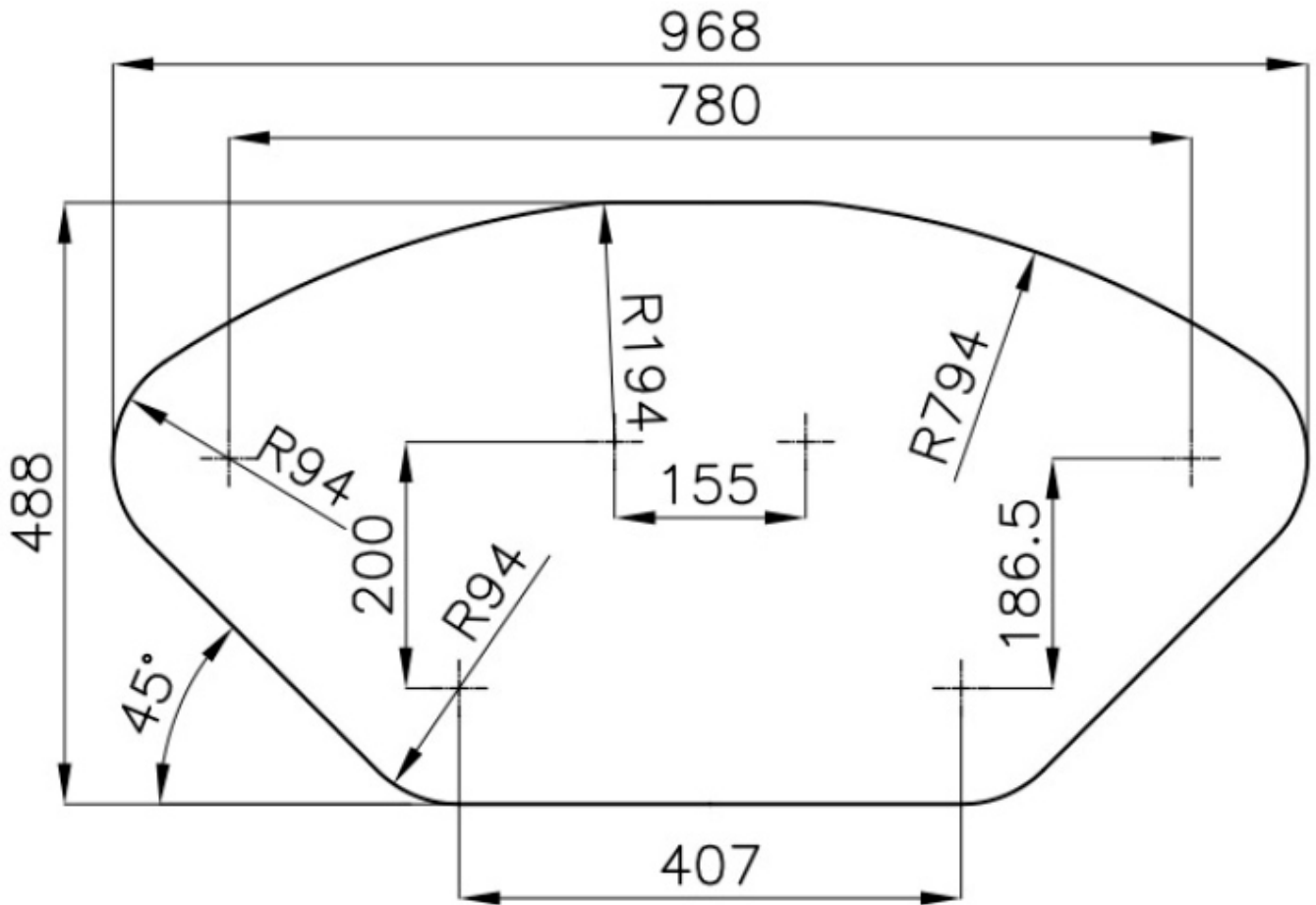
Automatic waste fitting The waste-fitting with round remote knob is supplied; a practical accessory which makes it unnecessary to get wet in order to drain the water from the bowl.

Basket 3,5" waste fitting The drain is equipped with a large 3.5" drain, with the practical basket cap that prevents the discharge of solid parts.

Double mixer hole The large tap counter is already fitted with a series of 2 tap holes. In the second hole it is possible to install the remote control of the automatic drain or, alternatively, a practical soap dispenser.

TECHNICAL DATA





GALLERY



OPTIONAL ACCESSORIES



Glass chopping board
8631 300



HPDE Chopping board
8657 001



Stainless steel basket
8611 000



White bowl
8153 100



White colander
8151 100